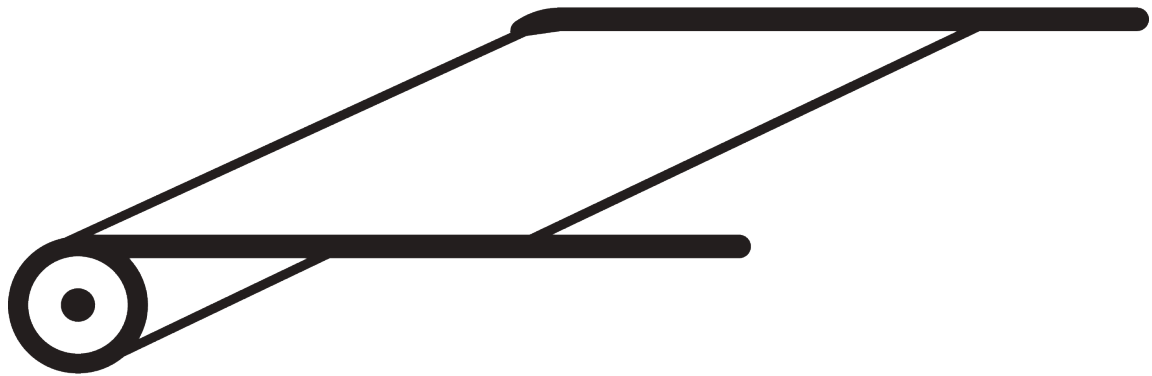


# SKYLIGHT SHADING SYSTEMS



# GENERAL NOTES

## **Dimensions**

- Measurements are in mm except where indicated.
- Max. kg relates to fabric incl. accessories (cross rods, etc.).
- Stack size depends on fabric make-up where applicable.





## **Fitting**

- Installation by qualified fitter only.
- Number of brackets and fitting positions / fixing points vary depending on fitting surface, system weight, fabric make-up, screw / fixing type and obstacles.
- Qualified fitter must use appropriate screws / fixings for each situation.
- Electrical installations must be carried out according to Silent Gliss wiring diagrams and conform to local regulations.
- Check space for cables and plugs!

## **Child Safety**

- All relevant Silent Gliss systems correspond to child safety EN 13120.
- All parties involved must comply with EN 13120.

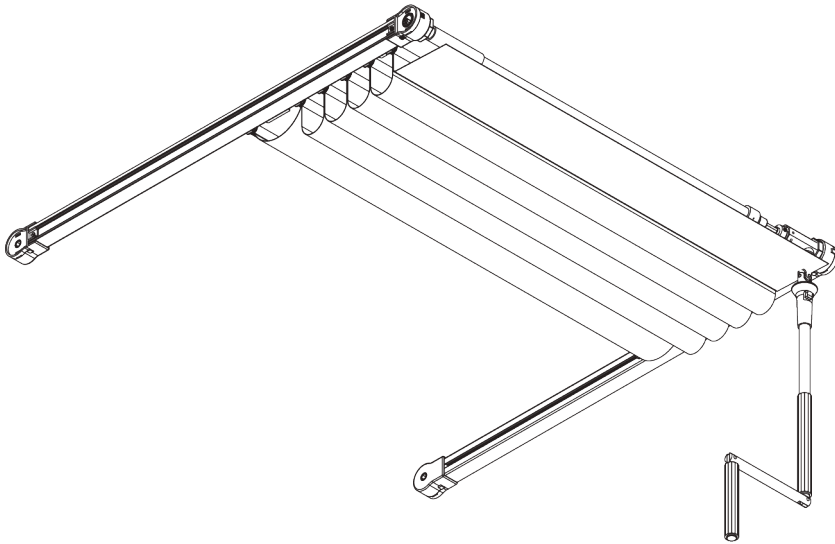
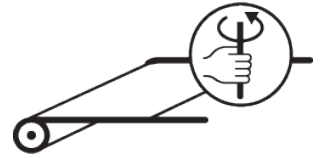
# APPLICATION CHART

<u>PAGE</u>	<u>SYSTEM</u>	<u>OPERATION</u>	<u>DIMENSION</u>	← max. →	↑ max. ↓	kg <sub>max.</sub>
5	<b>SG 2190</b>		S - M	2.5 m	6 m	15 kg
15	<b>SG 2195</b>		S - L	3 m	6 m	25 kg
25	<b>SG 8600</b>		M - L	4 m	6.5 m	
33	<b>SG 8640</b>		S - L	3 m	4.5 m	



# SG 2190

---



## PRODUCT INFORMATION

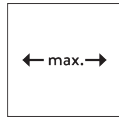
- **Operation:** crank
- **Range:** S - M
- **Fitting:** ceiling, wall
- **Colours:** white RAL 9016 or anodised aluminum, special colours possible
- **Fabrics:** refer to Silent Gliss fabric collection

### **Features:**

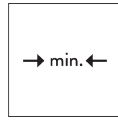
- Bendable
- Sloping
- Cantilever
- Special shapes
- Two connected systems

# SYSTEM SPECIFICATIONS

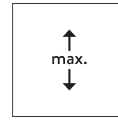
## A. SYSTEM DIMENSIONS



Type A: 2.5 m  
(plus 0.8 m each side for  
cantilever)



60 cm



6 m



15 kg



15 m<sup>2</sup>

## Max. system sizes and weights - straight systems

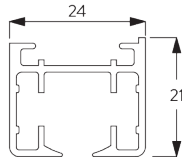
SG 2190		A (m)		B (m)		kg <sub>max.</sub>	m <sup>2</sup> <sub>max.</sub>
		Type 1	Type 2/3	Type 1	Type 2/3		
		1.8	1.8	5	5	15	9
		0.9 / 0.9	0.9 / 0.9	5	5	15	9
		2	2	5	5	15	10
		1/1	1/1	5	5	15	10
		2.5	2.5	6	6	15	15
		1.5 / 1.5	1.5 / 1.5	6	6	15	18

## Bent systems

SG 2190		A (m)		B (m)		kg <sub>max.</sub>	m <sup>2</sup> <sub>max.</sub>
		Type 1	Type 2/3	Type 1	Type 2/3		
		2	2	5	5	15	10
		1/1	1/1	5	5	15	10
		2	2	5	5	15	10
		1/1	1/1	4	4	15	8
		2	2	4	4	10	8
		1/1	1/1	4	4	10	8

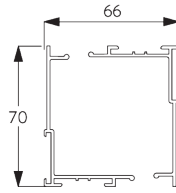
## B. PROFILE

### Profile and bending information



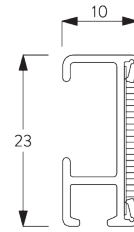
**SG 2191**

Profile



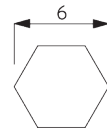
**SG 2151**

Profile



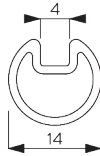
**SG 2116**

Velcro profile



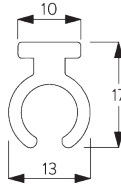
**SG 2111**

Shaft



**SG 2156**

Shaft



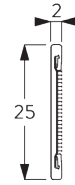
**SG 2231**

Profile



**SG 2246**

Rod PVC ø 5 mm



**SG 2510**

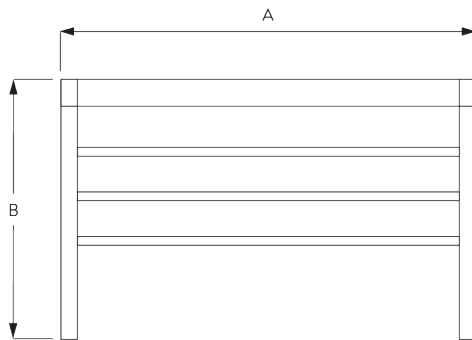
Velcro profile



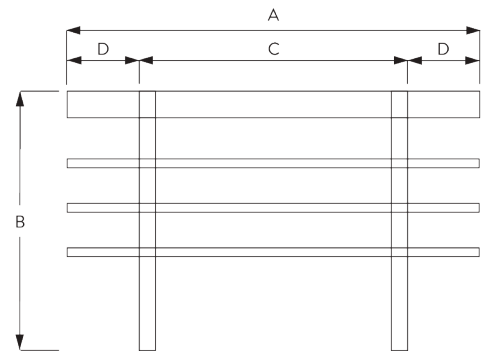
**SG 2759**

Profile

## C. HOW TO MEASURE



A: System width  
B: System height



A: System width  
B: System height  
C: Base system  
D: Cantilever max. 80 cm

## D. SPECIFICATION

### TEXT

#### EN

Silent Gliss SG 2190 Crank Handle Operated Skylight System. Supplied made to measure and complete comprising cassette SG 2151, detachable crank handle SG 2746, Glider 2145, Cross rods SG 2759. Aluminium side guide profiles SG 2191 in silver / white / bronze / black side fixed with SG 3825 clamps at 30cm centres. Can be single or double system. Left- or right-hand operation. Relevant fabric to be chosen from the Silent Gliss fabric range, Price Group 1-4.

#### SV

Silent Gliss takfönstersystem SG 2190 med vevmanövrering. Levereras komplett i specificerat mått innefattande kassett SG 2151, avtagbar vev SG 2746, glid SG 2145, tvärstag SG 2759. Sidoprofiler SG 2191 av aluminium i vitt eller alu natur monterade med vridfästen SG 3825 evt. i kombination med vinkel SG 3036. 30 cm c/c. Enkelt eller dubbelt system kan manövreras med 1 Vev som monteras i vänster eller höger sida. Textil från Silent Gliss textilprogram i prisgrupp 1-4 godkänd för användning med systemet.

#### NO

Silent Gliss SG 2190. Takvindu system for manuell betjening med sveiv. Leveres komplett på spesifisert mål. Består av kassett SG 2151 med avtakbar sveiv SG 2746, tværrstag SG 2759. Sideprofil SG 2191 av aluminium i hvit eller alu natur, monteres med vri-fester SG 3825 evt. i kombinasjon med vinkel SG 3036. 30 cm c/c. Enkel eller dobbelt system kan manøvreres med 1 sveiv som monteres på venstre eller høyre side. Tekstiler fra Silent Gliss tekstilprogram i prisgruppe 1-4.

#### DA

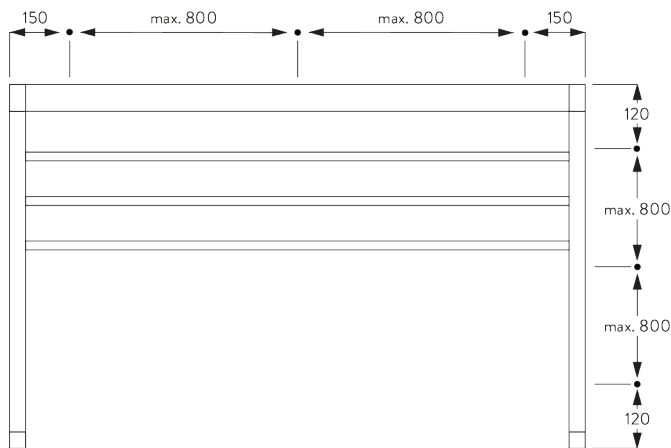
Silent Gliss SG 2190 tagvinduesystem med håndsving. Leveres i ønsket længde og komplet, bestående af kassette SG 2151, aftageligt håndtag til håndsving, SG 2746, glider 2145, tværstænger SG 2759. Sideprofiler af aluminium SG 2191 i sølv / hvidt / bronze / sort side fastgjort med klemmer SG 3825 med 30 cm afstand. Kan være et enkelt eller dobbelt system. Betjenes med venstre eller højre hånd. Relevant stof vælges fra Silent Gliss stofprogrammet, prisgruppe 1-4.

# FITTING

## A. FITTING INFORMATION

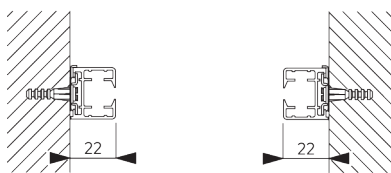
### Fixing points

For detailed fitting information, visit the [Silent Gliss website](#).

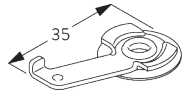


## B. INSIDE FITTING

### Clamp SG 3825





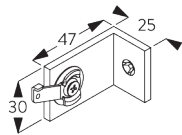
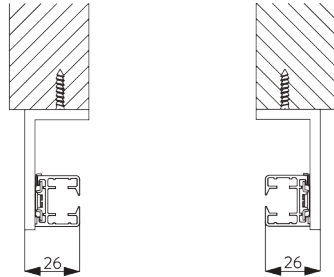


**SG 3825**

*Clamp*

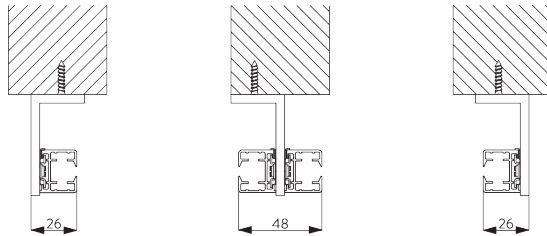
**C. FACE FITTING**

**Bracket SG 3181 /  
SG 3182**

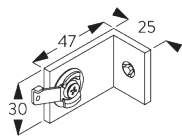


**SG 3181**

*Bracket 1 clamp*

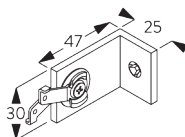


*Double system*



**SG 3181**

*Bracket 1 clamp*

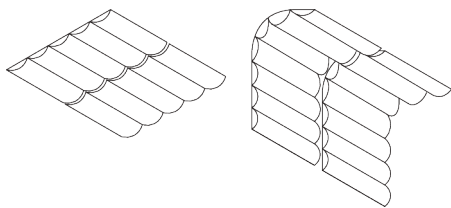


**SG 3182**

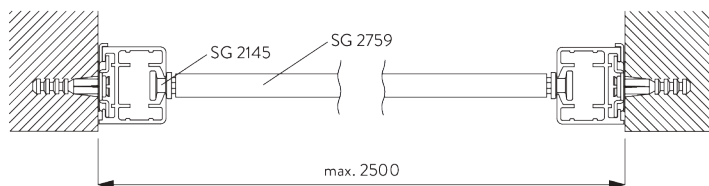
*Bracket 2 clamps*

# SYSTEM OPTIONS

## A. TWO CONNECTED SYSTEMS

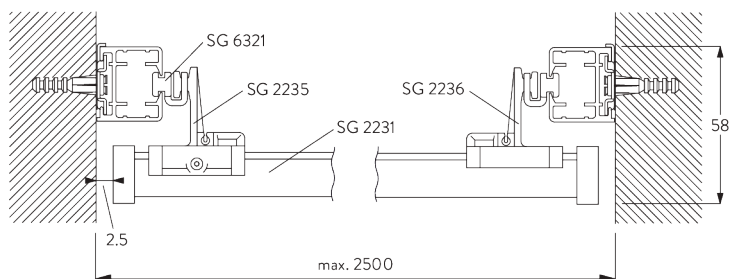


## B. INSTALLATION OPTIONS



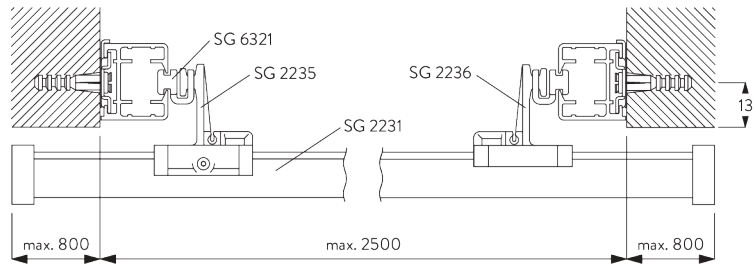
### Type 1

- SG 2145: Glider
- SG 2759: Profile



### Type 2 (Profiles covered)

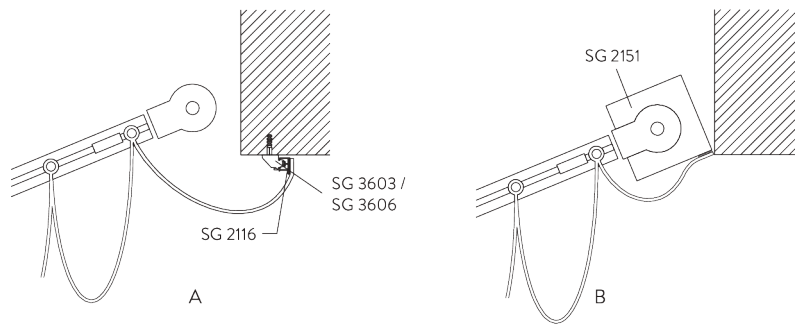
- SG 2231: Profile
- SG 2235: Glider with screw
- SG 2236: Glider without screw
- SG 6321: Glider



**Type 3** (Cantilever version to cover side profiles)

- SG 2231: Profile
- SG 2235: Glider with screw
- SG 2236: Glider without screw
- SG 6321: Glider

**C. FABRIC FIXING**

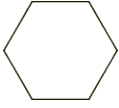
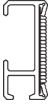
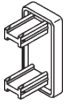
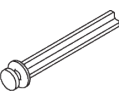

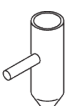
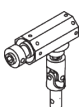
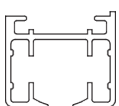
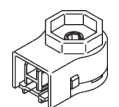
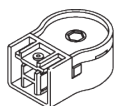
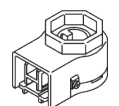
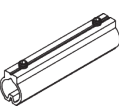
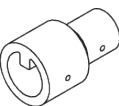
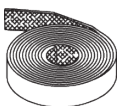


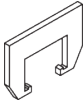
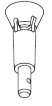

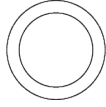
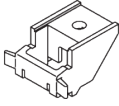
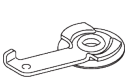
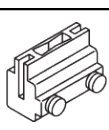
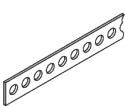
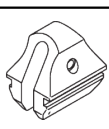
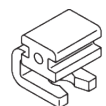
A: Fixing of fabric with profile SG 2116 (standard)

B: Fixing of fabric directly on headrail cassette

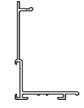
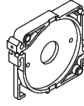
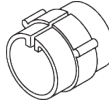



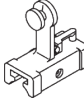
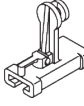
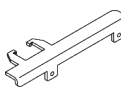
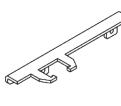
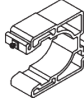
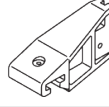

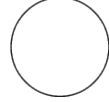
# PARTS

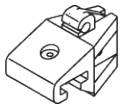
## A. STANDARD PARTS

	<b>SG 2111</b> Shaft
	<b>SG 2116</b> Velcro profile
	<b>SG 2131</b> End cover
	<b>SG 2145</b> Glider
	<b>SG 2156</b> Shaft
	<b>SG 2182</b> Sleeve
	<b>SG 2189</b> Crank drive
	<b>SG 2191</b> Profile
	<b>SG 2192</b> Drive
	<b>SG 2193</b> Guide return
	<b>SG 2230</b> Drive
	<b>SG 2242</b> Connector
	<b>SG 2244</b> Connector
	<b>SG 2539</b> Tape

	<b>SG 2613</b> Connector
	<b>SG 2754</b> Detachable crank hood
	<b>SG 2756</b> Crank handle
	<b>SG 2759</b> Profile
	<b>SG 3603</b> Bracket
	<b>SG 3825</b> Clamp
	<b>SG 5005</b> Belt connector
	<b>SG 5130</b> Driving belt
	<b>SG 6086</b> Spring stop
	<b>SG 6321</b> Glider

## B. OPTIONAL PARTS

	<b>SG 2151</b> Profile
	<b>SG 2152</b> Bearing shell
	<b>SG 2153</b> Pulley
	<b>SG 2176</b> Crank drive
	<b>SG 2181</b> Support
	<b>SG 2231</b> Profile
	<b>SG 2235</b> Cross glider
	<b>SG 2236</b> Cross profile glider
	<b>SG 2237</b> Overlap arm right
	<b>SG 2238</b> Overlap arm left
	<b>SG 2239</b> Guide
	<b>SG 2241</b> Halter
	<b>SG 2243</b> End cover
	<b>SG 2246</b> Rod PVC ø 5 mm



**SG 2249**

Holder



**SG 2510**

Velcro profile



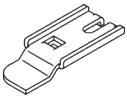
**SG 2742**

Crank joint



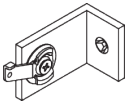
**SG 3004**

Clamp



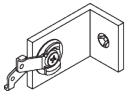
**SG 3041**

Bracket



**SG 3181**

Bracket 1 clamp



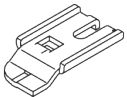
**SG 3182**

Bracket 2 clamps



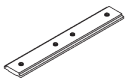
**SG 3606**

Clip



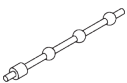
**SG 3832**

Bracket



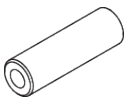
**SG 5115**

Connection bridge



**SG 6322**

Distance cord



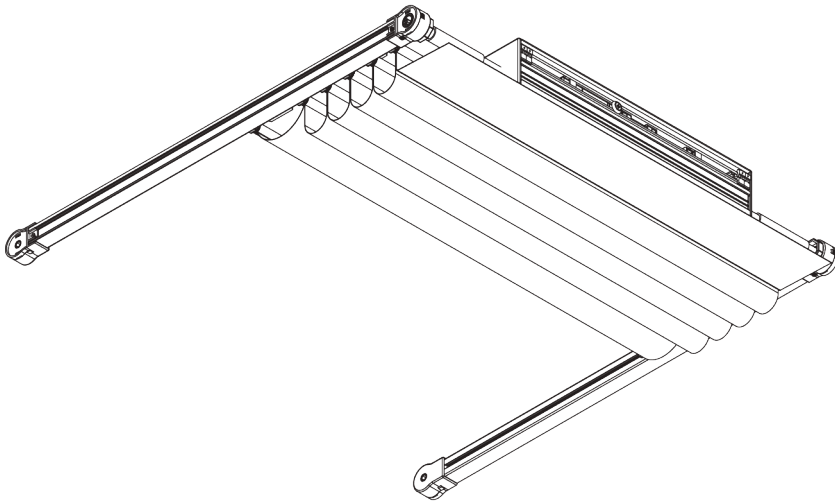
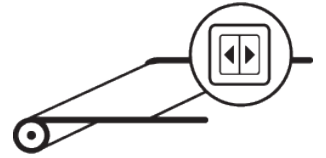
**SG 6796**

Spring pin 4x12 DIN 1481



# SG 2195

---



## PRODUCT INFORMATION

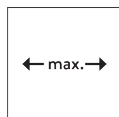
- **Operation:** motorised
- **Range:** S - L
- **Fitting:** ceiling, wall
- **Colours:** white RAL 9016 or anodised aluminum, special colours possible
- **Fabrics:** refer to Silent Gliss fabric collection

### **Features:**

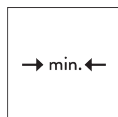
- Bendable
- Sloping
- Cantilever
- Special shapes
- Three connected systems
- Various control options

# SYSTEM SPECIFICATIONS

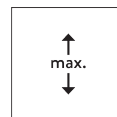
## A. SYSTEM DIMENSIONS



3 m  
(plus 0.8 m each side for cantilever)



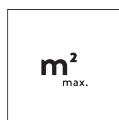
60 cm



6 m



25 kg



18 m<sup>2</sup>

## Max. system sizes and weights - straight systems

SG 2195	A (m)		B (m)		kg <sub>max.</sub>	m <sup>2</sup> <sub>max.</sub>	
	Type 1	Type 2/3	Type 1	Type 2/3	Type 1/2/3	Type 1/2/3	
		2.5	3	6	6	18	18
		2 / 2	2 / 2	6	6	18	24
		1.2 / 1.2 / 1.2	1.2 / 1.2 / 1.2	5	5	18	18
 $\triangle \text{max. } 45^\circ$		2.5	3	6	6	25	18
		2.5 / 2.5	2.5 / 2.5	6	6	25	30
		2 / 2 / 2	2 / 2 / 2	6	6	25	36
		2.5	3	6	6	25	18
		2.5 / 2.5	2.5 / 2.5	6	6	25	30
		2 / 2 / 2	2 / 2 / 2	6	6	25	36

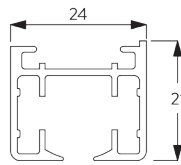


## Bent systems

SG 2195	A (m)		B (m)		kg <sub>max</sub>	m <sup>2</sup>
	Type 1	Type 2/3	Type 1	Type 2/3	Type 1/2/3	Type 1/2/3
		2.5	2.5	6	6	18
	2 / 2	2 / 2	6	6	18	24
	1.2 / 1.2 / 1.2	1.2 / 1.2 / 1.2	6	6	18	21.6
	2.5	2.5	6	6	18	15
	1.5 / 1.5	1.5 / 1.5	5	5	18	15
	0.8 / 0.8 / 0.8	0.8 / 0.8 / 0.8	5	5	18	12
	2.5	2.5	4	4	15	10
	1.5 / 1.5	1.5 / 1.5	4	4	15	12
	0.8 / 0.8 / 0.8	0.8 / 0.8 / 0.8	3	3	15	7.2

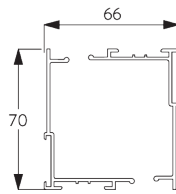
## B. PROFILE

### Profile and bending information

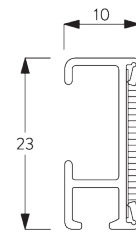


**SG 2191**  
Profile

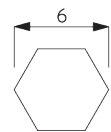
Radius:  
✓ >25 cm



**SG 2151**  
Profile



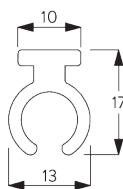
**SG 2116**  
Velcro profile



**SG 2111**  
Shaft



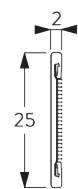
**SG 2156**  
Shaft



**SG 2231**  
Profile



**SG 2246**  
Rod PVC ø 5 mm

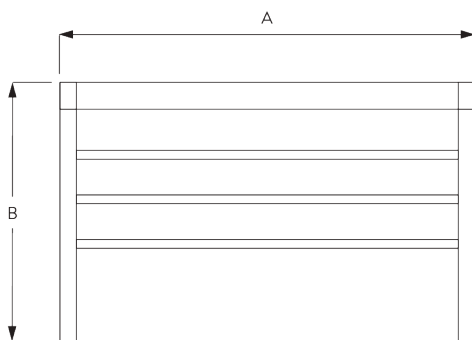


**SG 2510**  
Velcro profile

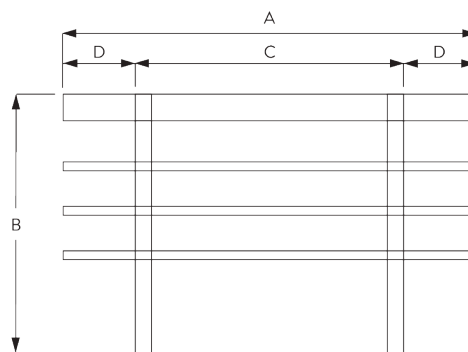


**SG 2759**  
Profile

## C. HOW TO MEASURE



A: System width  
B: System height



A: System width  
B: System height  
C: Base system  
D: Cantilever max. 80 cm

## D. SPECIFICATION

### TEXT

### EN

*Silent Gliss SG 2195 Electrically Operated Skylight System. Supplied made to measure and complete comprising cassette SG 2151 with enclosed motor SG 2160 complete with drive shaft SG 2156, Glider 2145, Cross rods SG 2759. Aluminium side guide profiles SG 2191 in white or alu finish fixed with SG 3825 clamps at 30cm centres. Can be single, double or triple operation from one motor controlled by fixed switch / third party control system subject to suitable interface by others party / Silent Gliss SG 9940 radio control systems via external receiver. All wiring to be strictly in accordance with Silent Gliss wiring diagrams. Relevant fabric to be chosen from the Silent Gliss fabric range, Price Group 1-4.*

### SV

*Silent Gliss takfönstersystem SG 2195 med motor. Levereras komplett i specificerat mått innefattande kassett SG 2151 komplett med motor SG 2160 med drivstag SG 2156 tvärstag SG 2759. Sidoprofiler SG 2191 av aluminium i vitt eller alu natur monterade med vridfästen SG 3825 evt. i kombination med vinkel SG 3036. 30 cm c/c. Upp till 3 system kan kopplas samman och styras via väggkontakt/ via fjärrkontroll system SG 9940 eller via externt styrsystem. Radiokomponenter mot tillägg. All elinstallation skall följa Silent Gliss kopplingschema. Textil från Silent Gliss textilprogram i prisgrupp 1-4 godkänd för användning med systemet.*

### NO

*Silent Gliss SG 2195 Elektrisk styrt takvindusystem. Leveres komplett på spesifisert mål. Består av kassett SG 2151 komplett med motor SG 2160, drivstag SG 2156 og tverrstag SG 2759. Sideprofil SG 2191 av aluminium i hvit eller alu natur, monteres med vri-fester SG 3825 evt. i kombinasjon med vinkel SG 3036. 30 cm c/c. inntil 3 system kan kobles sammen og styres via veggbryter, fjernkontroll system SG 9940 eller via eksternt styringsystem. Radiokomponenter kommer i tillegg. Silent Gliss koblingskjema skal følges ved alle el-installasjoner. Tekstiler fra Silent Gliss tekstilprogram er godkjent for produktet, prisgruppe 1-4.*

### DA

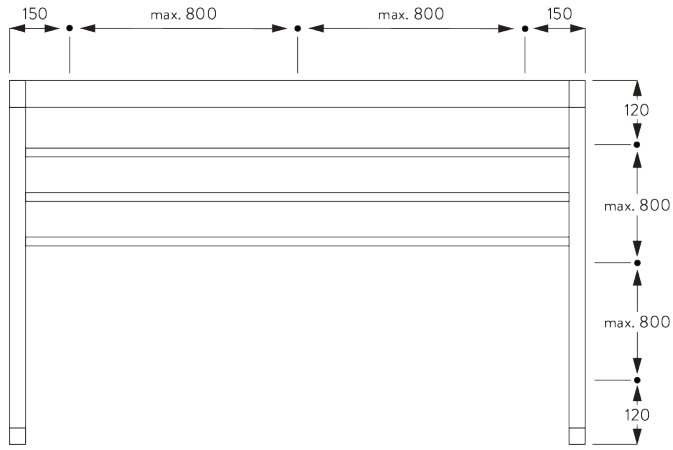
*Silent Gliss SG 2195 elektrisk tagvinduesystem. Leveres i ønsket længde og komplet, bestående af kassette SG 2151 medfølgende motor SG 2160, komplet med drivaksel SG 2156, glider 2145, tværstænger SG 2759. Sideprofiler af aluminium SG 2191 i hvidt eller aluminium finish, fastgjort med klemmer SG 3825 med 30 cm afstand. Kan styres enkelt, dobbelt eller tredobbelt fra en motor styret af en fast kontakt / tredjeparts styresystem, forudsat at der er en passende grænseflade fra en tredjepart til rådighed / Silent Gliss SG 9940 radiokontrolsystem gennem ekstern modtager. Al ledningsføring skal udelukkende vælges i henhold til Silent Gliss ledningsdiagrammer. Relevant stof vælges fra Silent Gliss stofprogrammet, prisgruppe 1-4.*

# FITTING

## A. FITTING INFORMATION

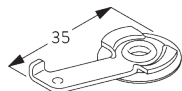
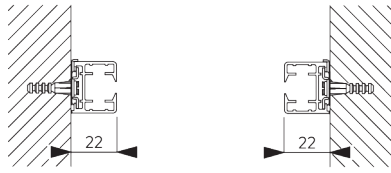
For detailed fitting information, visit the Silent Gliss website.

## Fixing points



## B. INSIDE FITTING

### Clamp SG 3825

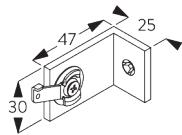
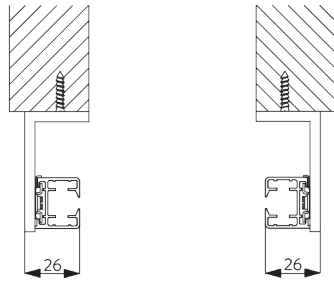


**SG 3825**

*Clamp*

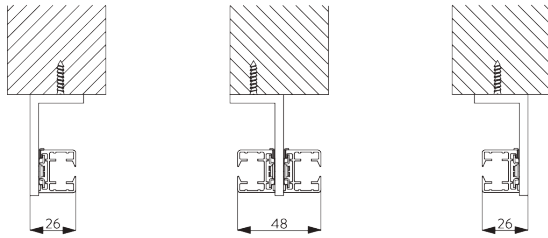
## C. FACE FITTING

### Bracket SG 3181 / SG 3182

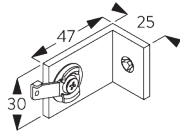


**SG 3181**

*Bracket 1 clamp*

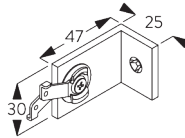


Double system



**SG 3181**

Bracket 1 clamp

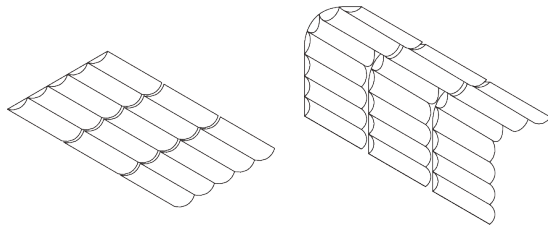


**SG 3182**

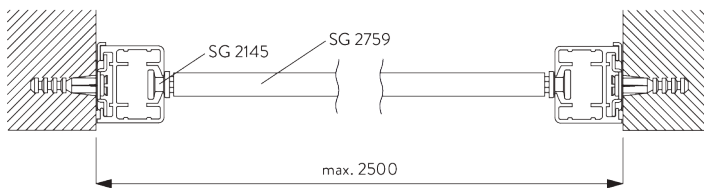
Bracket 2 clamps

# SYSTEM OPTIONS

## A. TWO OR THREE CONNECTED SYSTEMS

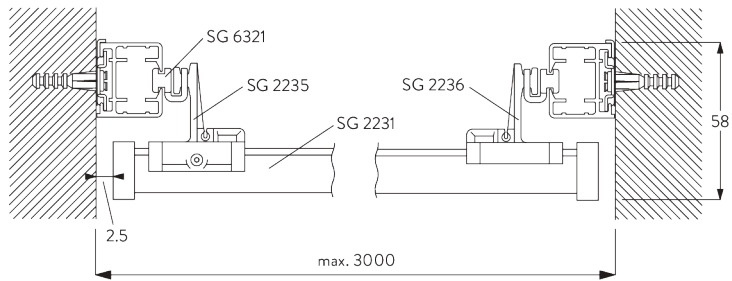


## B. INSTALLATION OPTIONS



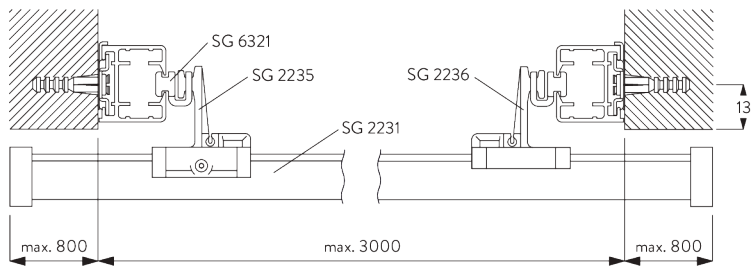
**Type 1**

- SG 2145: Glider
- SG 2759: Profile



**Type 2** (Profiles covered)

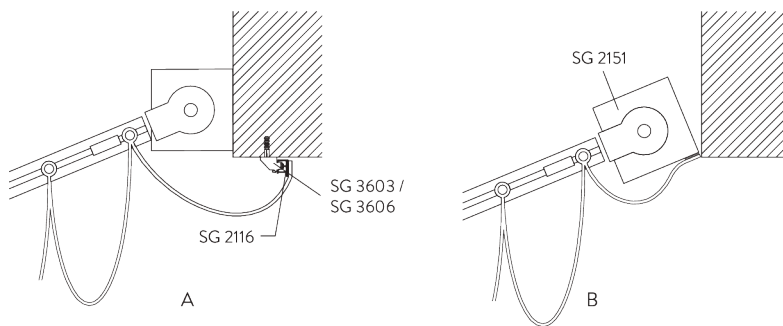
- SG 2231: Profile
- SG 2235: Glider with screw
- SG 2236: Glider without screw
- SG 6321: Glider



**Type 3** (Cantilever version to cover side profiles)

- SG 2231: Profile
- SG 2235: Glider with screw
- SG 2236: Glider without screw
- SG 6321: Glider

**C. FABRIC FIXING**



A: Fixing of fabric with profile SG 2116 (standard)

B: Fixing of fabric directly on headrail cassette

# MOTOR & CONTROLS

## A. MOTOR FEATURES

Motors	SG 2160
<b>Motor Features</b>	
Mechanical end-stop	•
Mechanical revolution counter (limited revolution)	•
Noiseless stop	•
IP class	IP 44
<b>Control Features</b>	
Mains power control	•
SG Control L (external receiver required)	•
Suitable for most major home automation systems (with suitable interface)	•

## B. MOTOR SPECIFICATIONS

Motors	Voltage	Current	Frequency	Speed
SG 2160	230 V AC	0.5 A	50 Hz	26 rpm

## C. OPERATING METHODS

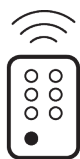
See catalogue "controls" for details.

### Wall Switch



System can be operated by fixed wall switch.

### SG Control L



Various radio hand-held and wall transmitters available. An external receiver is required.



Silent Gliss Move App.

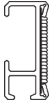
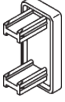
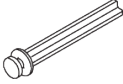

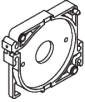
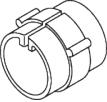


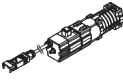
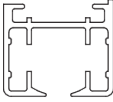
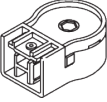
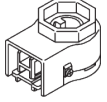
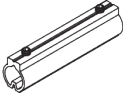
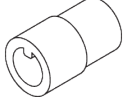
## D. WIRING DIAGRAMS

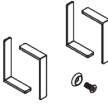
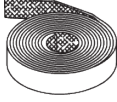
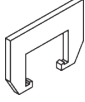
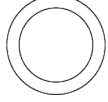
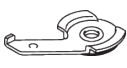
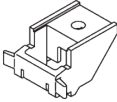

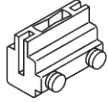
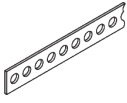

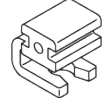
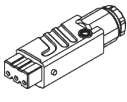


Refer to Silent Gliss website.


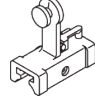
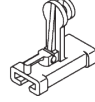
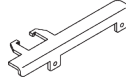
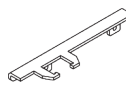
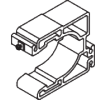
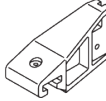

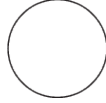


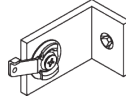
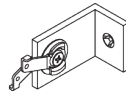

# PARTS

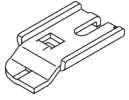
## A. STANDARD PARTS

	<b>SG 2116</b> Velcro profile
	<b>SG 2131</b> End cover
	<b>SG 2145</b> Glider
	<b>SG 2151</b> Profile
	<b>SG 2152</b> Bearing shell
	<b>SG 2153</b> Pulley
	<b>SG 2154</b> End cover
	<b>SG 2156</b> Shaft
	<b>SG 2160</b> Motor 230V AC, JA 06/26 soft
	<b>SG 2191</b> Profile
	<b>SG 2193</b> Guide return
	<b>SG 2230</b> Drive
	<b>SG 2242</b> Connector
	<b>SG 2245</b> Shaft connector

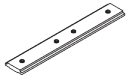
	<b>SG 2247</b> Set Elero 230V
	<b>SG 2539</b> Tape
	<b>SG 2613</b> Connector
	<b>SG 2759</b> Profile
	<b>SG 3004</b> Clamp
	<b>SG 3603</b> Bracket
	<b>SG 3825</b> Clamp
	<b>SG 5005</b> Belt connector
	<b>SG 5130</b> Driving belt
	<b>SG 6086</b> Spring stop
	<b>SG 6321</b> Glider
	<b>SG 9917</b> Hirschmann portable socket-outlet STAK 3 N

## B. OPTIONAL PARTS

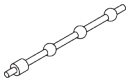
	<b>SG 2231</b> Profile
	<b>SG 2235</b> Cross glider
	<b>SG 2236</b> Cross profile glider
	<b>SG 2237</b> Overlap arm right
	<b>SG 2238</b> Overlap arm left
	<b>SG 2239</b> Guide
	<b>SG 2241</b> Halter
	<b>SG 2243</b> End cover
	<b>SG 2246</b> Rod PVC ø 5 mm
	<b>SG 2249</b> Holder
	<b>SG 2510</b> Velcro profile
	<b>SG 3181</b> Bracket 1 clamp
	<b>SG 3182</b> Bracket 2 clamps
	<b>SG 3606</b> Clip

**SG 3832**

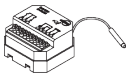
Bracket

**SG 5115**

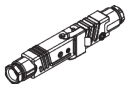
Connection bridge

**SG 6322**

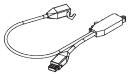
Distance cord

**SG 9068**

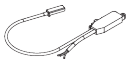
Radio receiver Revio

**SG 9916**

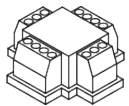
Hirschmann plug set

**SG 9944**

Radio receiver 1 channel

**SG 9945**

Radio receiver 1 channel

**SG 9959**

Central control unit relay

**SG 10300**

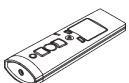
Radio hand held 1 channel

**SG 10302**

Radio hand held 5+1 channel

**SG 10303**

Radio hand held 10+2+1 channel

**SG 10804**

Radio hand held 15+5+1 channel

**SG 11480**

Radio wall transmitter 1 channel

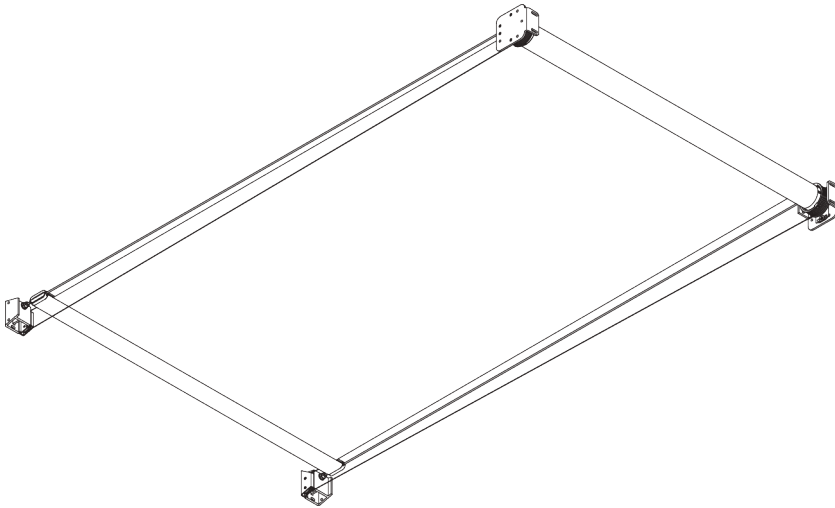
**SG 11490**

Radio wall transmitter 5+1 channel



# SG 8600

---



## PRODUCT INFORMATION

- **Operation:** motorised
- **Range:** M - L
- **Fitting:** ceiling, wall
- **Colours:** white RAL 9016 or anodised aluminum, special colours possible
- **Fabrics:** refer to Silent Gliss fabric collection

### **Features:**

- Tensioned roller blind
- Various control options
- Any angle

# SYSTEM SPECIFICATIONS

## A. SYSTEM DIMENSIONS



4 m



M: 87 cm  
L: 108 cm



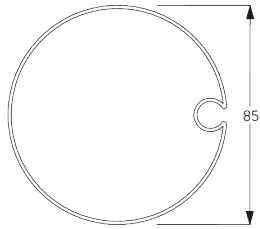
M: 3 m  
L: 6.5 m



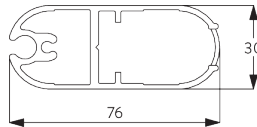
18 m<sup>2</sup>

## B. PROFILE

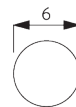
Profile information



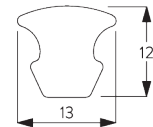
**SG 8601**  
Tube ø 85 mm



**SG 8602**  
Bottom bar

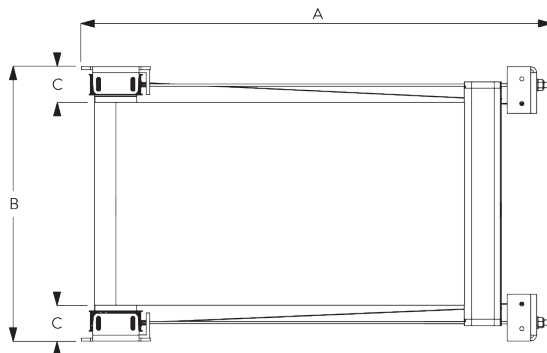


**SG 8618**  
Fabric rod ø 6 mm



**SG 8626**  
Cover strip

## C. HOW TO MEASURE



A: System length  
B: System width  
C: Light gap: 75 mm

Pulling force per bracket: approx. 100 kg

## D. SPECIFICATION

### TEXT

#### EN

Silent Gliss SG 8600 Electrically Operated Tensioned Roller Blind System. Supplied made to measure and complete comprising (key components) aluminium barrel SG 8601, motor SG 8605, tension wire SG 8619, spring set SG 8603 / 8605. Can be controlled by fixed switch / third party control system subject to suitable interface by others/ Silent Gliss SG 9940 radio control systems via external receiver. All radio control components supplied at additional cost. All wiring to be strictly in accordance with Silent Gliss wiring diagrams. Fabric to be chosen from the Silent Gliss fabric range.

#### SV

Silent Gliss takfönstersystem SG 8600 med motor. Levereras i kundens mått komplett med aluminium rör SG 8601, motor SG 8605, spännwire SG 8619, fjäderkomponenter SG 8603/ 8605. Montering i bakkant och framkant eller mot tak. Kan styras via väggkontakt/ via fjärrkontroll system SG 9940 eller via externt styrsystem. Radiokomponenter mot tillägg. All elinstallation skall följa Silent Gliss kopplingschema. Textil från Silent Gliss textilprogram godkänd för användning med systemet.

#### NO

Silent Gliss SG 8600 Elektrisk styrt rullegardin for takvindu. Leveres komplett på spesifisert mål. Består av aluminiumsrør SG 8601, motor SG 8605 spennwire SG 8619, fjærkomponent SG8603 / SG 8605. Montering i bakkant, fremkant eller mot tak? Kan styres via bryter, fjernkontroll system SG 9940 eller via eksternt styringsystem. Radiokomponenter kommer i tillegg. Silent Gliss koblingskjema skal følges ved alle el-installasjoner. Tekstiler fra Silent Gliss tekstilprogram er godkjent for produktet, prisgruppe 1-4.

#### DA

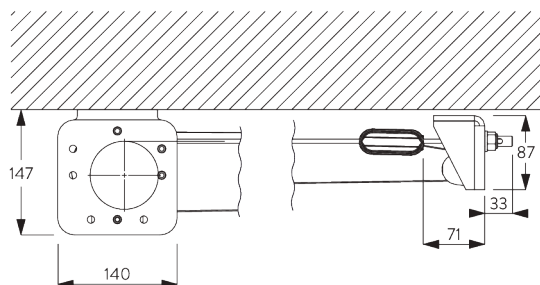
Silent Gliss SG 8600 elektrisk styret spændt rullegardinsystem. Leveres i ønsket længde og komplet, bestående af (hovedkomponenter) aluminiumrør SG 8601, motor SG 8605, spændewire SG 8619, fjedersæt SG 8603 / SG 8605. Kan styres af en fast kontakt / tredjeparts styresystem, forudsat at der er en passende grænseflade fra en tredjepart til rådighed / Silent Gliss SG 9940 radiokontrolsystem gennem ekstern modtager. Alle komponenter til radiostyring leveres mod ekstra betaling. Al ledningsføring skal udelukkende vælges i henhold til Silent Gliss ledningsdiagrammer. Stoffet vælges fra Silent Gliss stofprogrammet.

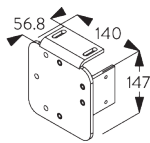
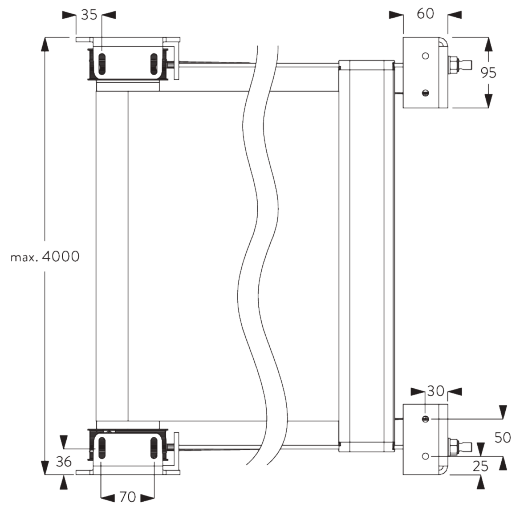
# FITTING

## A. FITTING INFORMATION

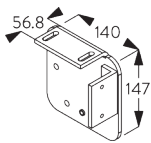
For detailed fitting information, visit the Silent Gliss website.

## B. CEILING FITTING

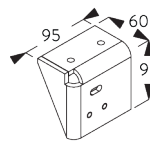




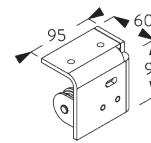
**SG 8606**  
Roller bracket ceiling left



**SG 8607**  
Roller bracket ceiling right

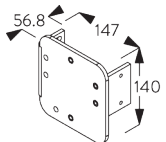
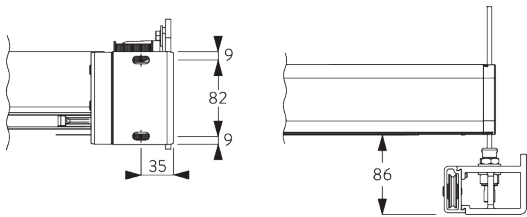
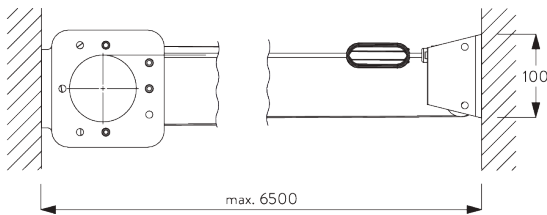


**SG 8608**  
Pulley bracket ceiling left

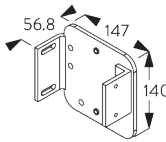


**SG 8609**  
Pulley bracket ceiling right

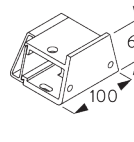
**C. WALL FITTING**



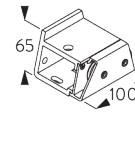
**SG 8611**  
Roller bracket wall left



**SG 8612**  
Roller bracket wall right



**SG 8621**  
Pulley bracket side/back left



**SG 8622**  
Pulley bracket side/back right

# MOTORS & CONTROLS

## A. MOTOR FEATURES

Motors	SG 8605
<b>Motor Features</b>	
Mechanical end-stop	●
Mechanical revolution counter (limited revolution)	●
IP class	IP 44
<b>Control Features</b>	
Mains power control	●
SG Control L (external receiver required)	●
Suitable for most major home automation systems (with suitable interface)	●

## B. MOTOR SPECIFICATIONS

Motors	Voltage	Current	Frequency	Speed
SG 8605	230 V AC	0.65 A	50 Hz	17 rpm

## C. OPERATING METHODS

See catalogue "controls" for details.

### Wall Switch



System can be operated by fixed wall switch.

### SG Control L



Various radio hand-held and wall transmitters available. An external receiver is required.



Silent Gliss Move App.

## D. WIRING DIAGRAMS



Refer to Silent Gliss website.

# PARTS

## A. STANDARD PARTS



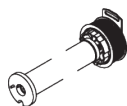
**SG 8601**

Tube ø 85 mm



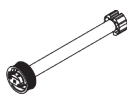
**SG 8602**

Bottom bar



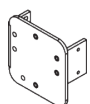
**SG 8604**

Spring long



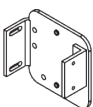
**SG 8605**

Motor 230V AC, 17/15



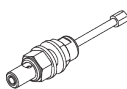
**SG 8611**

Roller bracket wall left



**SG 8612**

Roller bracket wall right



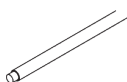
**SG 8616**

Wire guide set



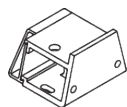
**SG 8618**

Fabric rod ø 6 mm



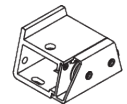
**SG 8619**

Tension wire ø 1.5 mm



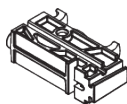
**SG 8621**

Pulley bracket side/back left



**SG 8622**

Pulley bracket side/back right



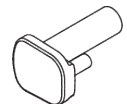
**SG 8623**

Bottom bar pulley



**SG 8624**

End cover



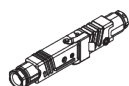
**SG 8625**

Fabric spacer



**SG 8626**

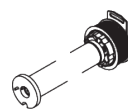
Cover strip



**SG 9916**

Hirschmann plug set

## B. OPTIONAL PARTS



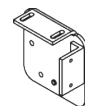
**SG 8603**

Spring short



**SG 8606**

Roller bracket ceiling left



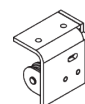
**SG 8607**

Roller bracket ceiling right



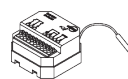
**SG 8608**

Pulley bracket ceiling left



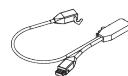
**SG 8609**

Pulley bracket ceiling right



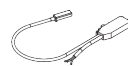
**SG 9068**

Radio receiver Revio



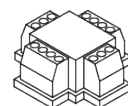
**SG 9944**

Radio receiver 1 channel



**SG 9945**

Radio receiver 1 channel



**SG 9959**

Central control unit relay



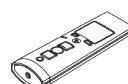
**SG 10300**

Radio hand held 1 channel



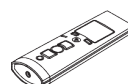
**SG 10302**

Radio hand held 5+1 channel



**SG 10303**

Radio hand held 10+2+1 channel



**SG 10804**

Radio hand held 15+5+1 channel



**SG 11480**

Radio wall transmitter 1 channel



---

**SG 11490**

*Radio wall transmitter 5+1 channel*

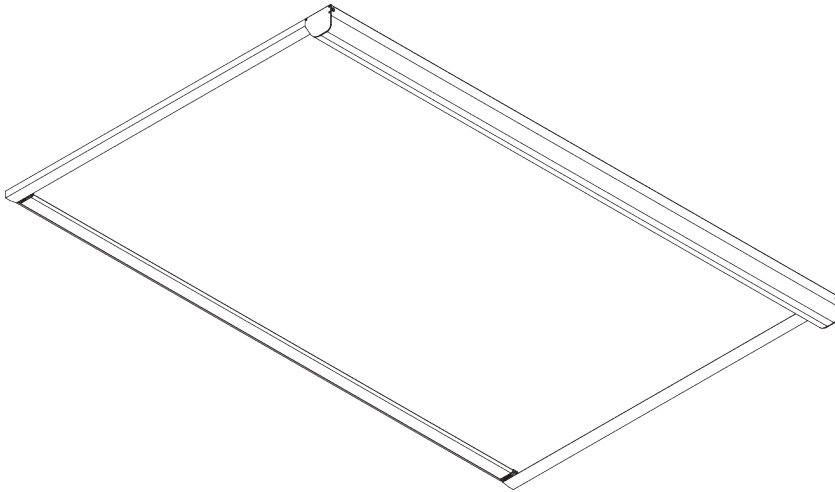
---





# SG 8640

---



## PRODUCT INFORMATION

- **Operation:** motorised
- **Range:** S - L
- **Fitting:** ceiling, wall, recess
- **Colours:** white RAL 9016, special colours possible
- **Fabrics:** refer to Silent Gliss fabric collection

### **Features:**

- Tensioned roller blind
- Various control options
- Any angle
- Fabric Zip technology
- Dim Out with appropriate fabric selection

# SYSTEM SPECIFICATIONS

## A. SYSTEM DIMENSIONS



3 m



65 cm



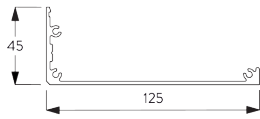
Headbox S / M: 3 m  
Headbox L: 4.5 m



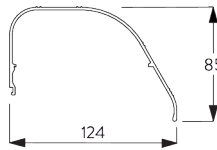
Headbox S / M: 9 m<sup>2</sup>  
Headbox L:  
13 m<sup>2</sup> / 11 m<sup>2</sup>

## B. PROFILE

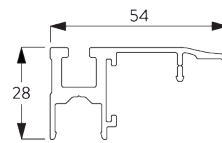
### Profile information



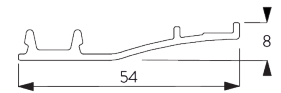
**SG 8641**  
Box case S/M 105x125 mm



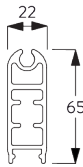
**SG 8642**  
Box cover S/M 105x125 mm



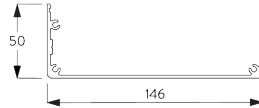
**SG 8643**  
Side guide case inside fitting



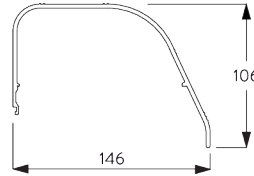
**SG 8644**  
Side guide cover



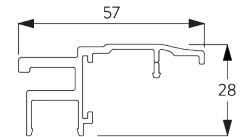
**SG 8645**  
Bottom bar



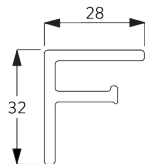
**SG 8661**  
Box case Large 126x146 mm



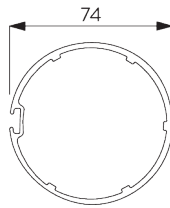
**SG 8662**  
Box cover Large 126x146 mm



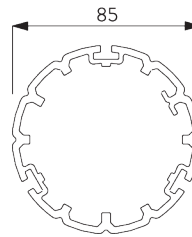
**SG 8663**  
Side guide case inside fitting



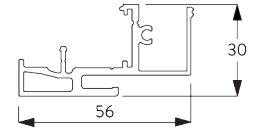
**SG 8664**  
Side guide profile inside fitting



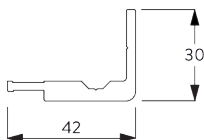
**SG 8665**  
Tube ø 74 mm



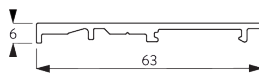
**SG 8666**  
Tube Large ø 85 mm



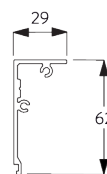
**SG 8672**  
Side guide case



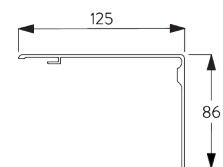
**SG 8673**  
Concealed side guide profile



**SG 8674**  
Concealed side guide cover

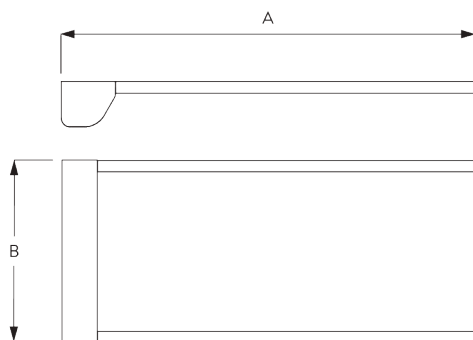


**SG 8677**  
Concealed box cover 105x125 mm



**SG 8678**  
Concealed box cover lid 105x125 mm

### **C. HOW TO MEASURE**



A: System length  
B: System width

### **D. SPECIFICATION TEXT**

#### **EN**

*Silent Gliss SG 8640 Electrically Operated Tensioned Dimout / Solar Screening Roller Blind System. Supplied made to measure and complete comprising (key components) motor SG 8657 / SG 8658 , zip profile SG 8659 - System S/M - Box cover SG 8642, box case SG 8641, aluminium tube SG 8665/ System L - box cover 8662, box case SG 8661, aluminium tube SG 8666. Inside fix - Side guide case SG 8663, side guide profile SG 8664. Face fix - side guide case SG 8643, Side guide cover SG 8644. Concealed recess fix option with box covers SG 8677, SG 8678 side guide case SG 8672, side guide profile SG 8673 and side guide cover SG 8674. Controlled via fixed switch / third party control system subject to suitable interface by others/ SG radio control systems SG 9940 / SG 0450 with external receiver. All radio control components supplied at additional cost. All wiring to be strictly in accordance with Silent Gliss wiring diagrams. Fabric to be chosen from the Silent Gliss fabric range, Price Group 1 / price group 2.*

#### **SV**

*Silent Gliss SG 8640 mörkläggnings/solavskärminingssystem med motor. Levereras i kundmått inkluderande motor SG 8657 / SG 8658, zip profil SG 8659 - System S/M - Kassett kåpa SG 8642, kassett SG 8641, aluminiumrör SG 8665 / System L - kassett kåpa 8662, kassett SG 8661, aluminiumrör SG 8666. Nisch montering - Sidoprofil kåpa SG 8663, sidoprofil SG 8664. Utanpåliggande montering - sidoprofil SG 8643, Sidoprofil kåpa SG 8644. Dold infälld montering med kassett kåpor SG 8677, SG 8678 sidoprofil kåpa SG 8672, sidoprofil SG 8673 and sidoprofil kåpa SG 8674. Kan styras via väggkontakt/ via fjärrkontroll system SG 9940 eller via externt styrsystem. Radiokomponenter mot tillägg. All elinstallation skall följa Silent Gliss kopplingschema. Textil från Silent Gliss textilprogram prisgrupp 1 / 2 godkänd för användning med systemet.*

#### **NO**

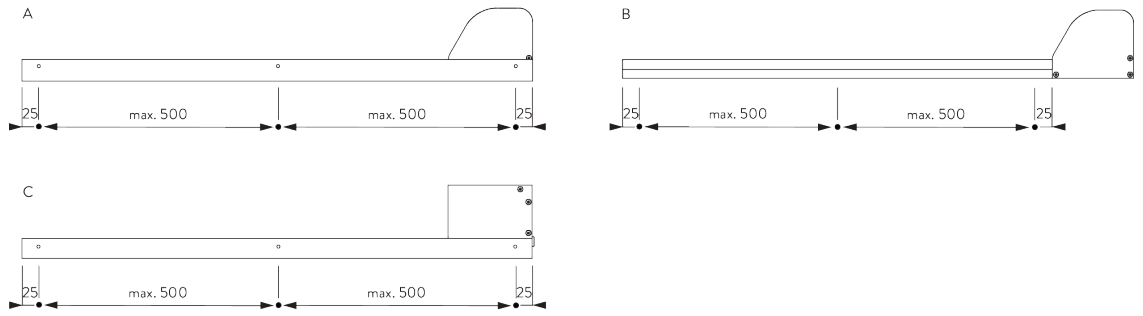
*Silent Gliss SG8640 mørklægging-/ solavskjermingssystem med motor. Leveres måtilpasset. Motor SG 8657 / SG 8658 , zip profil SG 8659 - System S/M - Kassett kåpe SG 8642, kassett SG 8641, aluminiumsrør SG 8665 / System L - kassett kåpe SG 8662, kassett SG 8661, aluminiumsrør SG 8666. Nisjemontering - Sideprofil kåpe SG 8663, sideprofil SG 8664. Utenpåliggende montering - sideprofil SG 8643, Sideprofil kåpe SG 8644. Skjult innfelling montering med kassett kåper SG 8677, SG 8678 sideprofil kåpe SG 8672, sideprofil SG 8673 og sideprofil kåpa SG 8674. Kan styres via veggbryter/ via fjernkontroll system SG 9940 eller via eksternt styringssystem. Radiokomponenter mot tillegg. Alle elektrisk installasjon skal tilkoples i.h.t. Silent Gliss koplingskjema. Tekstil fra Silent Gliss tekstilkolleksjon prisgruppe 1 / 2 er godkjent for bruk på systemet.*

# FITTING

## A. FITTING INFORMATION

### Fixing points

For detailed fitting information, visit the Silent Gliss website.

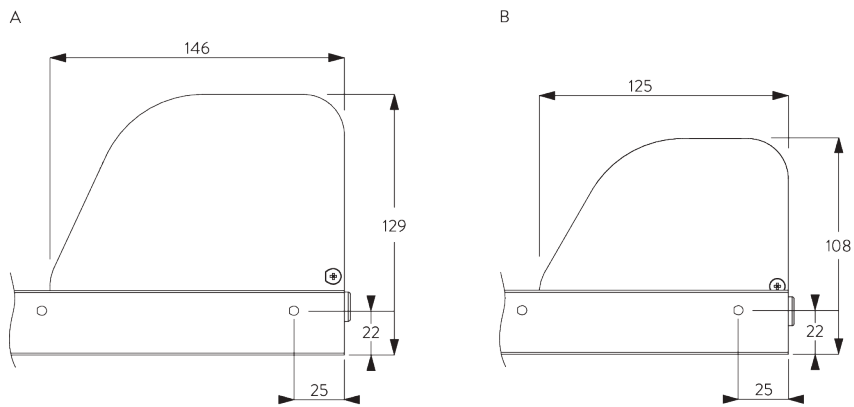


A: Inside recess fitting

B: Face fitting

C: Concealed recess fitting

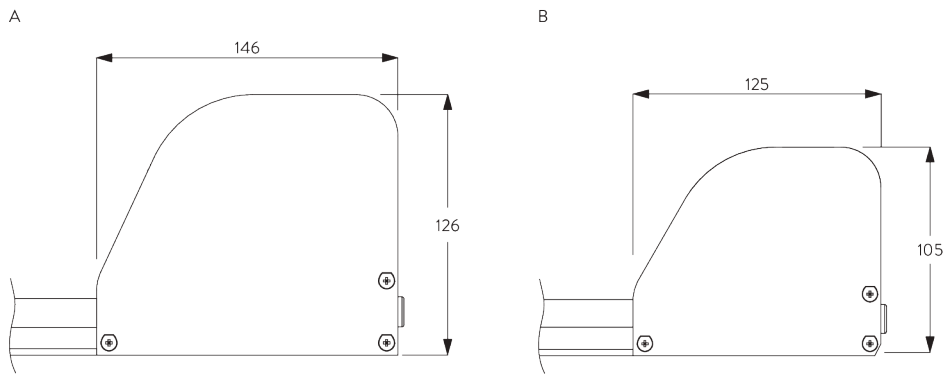
### Headbox dimensions



Inside recess fitting

A: Headbox L

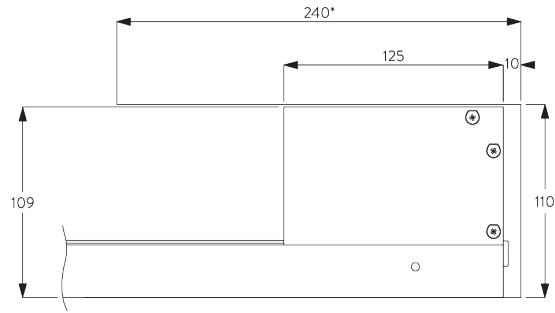
B: Headbox S / M



Face fitting

A: Headbox L

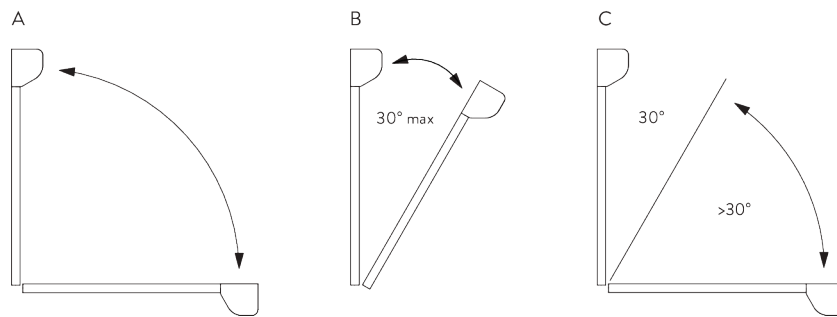
B: Headbox S / M



Concealed recess fitting  
Concealed recess headbox

\*recess depth required to fully conceal hembar when retracted!

### Fitting angles



**A: Headbox S / M:**

3 m wide x 3 m draw / 9 m<sup>2</sup> any angle

**B: Headbox L:**

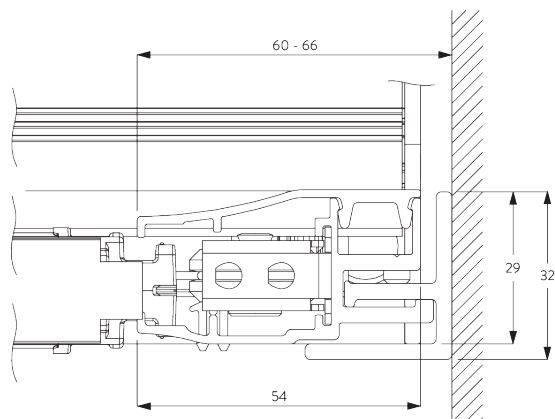
3 m wide x 4.5 m draw / 13 m<sup>2</sup> no greater than 30° from vertical

**C: Headbox L:**

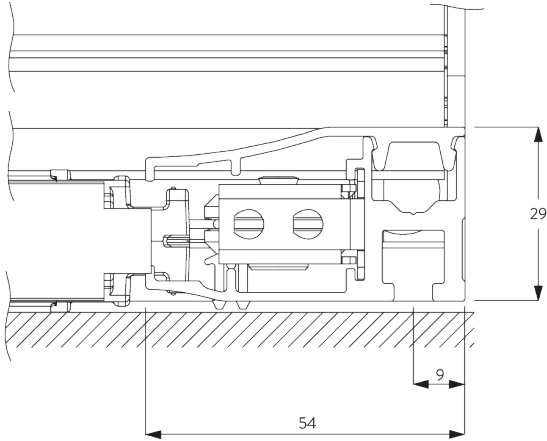
Max. 2.5 m wide x 4.5 m draw / 11 m<sup>2</sup> greater than 30° from vertical

Concealed recess option max. 3 m wide x 3 m draw any angle.

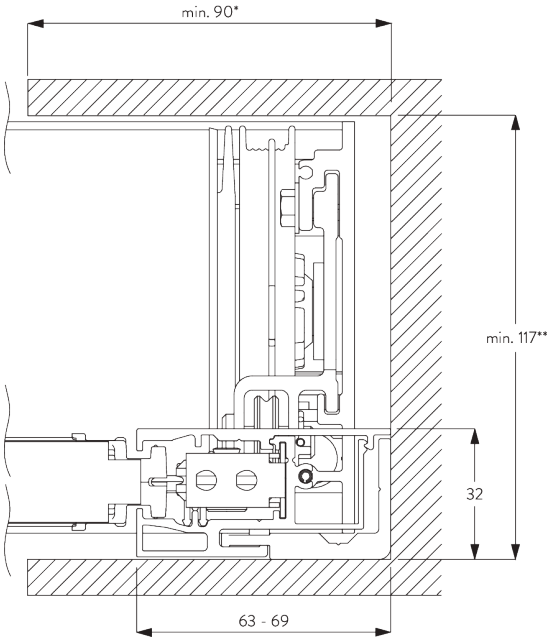
### B. INSIDE RECESS FITTING



**C. FACE FITTING**



**D. CONCEALED RECESS FITTING**



*\*recess depth required to fully conceal hem bar end caps  
\*\*min. 125 mm if head box lid is used*

# MOTOR & CONTROLS

## A. MOTOR FEATURES

Motor	SG 8657 / SG 8658
<b>Motor Features</b>	
Soft start / stop	●
Electronic end-stop	●
Electronic revolution counter (unlimited revolution)	●
Cable connectable with plug into motor	●
IP class	IP 30
<b>Control Features</b>	
Mains power control	●
SG Control L (external receiver required)	●
Suitable for most major home automation systems (with suitable interface)	●

## B. MOTOR SPECIFICATIONS

Motor	Voltage	Current	Frequency	Speed
SG 8657 / SG 8658	100-240 V AC	0.8 A	50 / 60 Hz	12 rpm

## C. OPERATING METHODS

See catalogue "controls" for details.

### Wall Switch



System can be operated by fixed wall switch.

### SG Control L



Various radio hand-held and wall transmitters available. An external receiver is required.



Silent Gliss Move App.

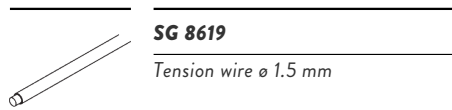
## D. WIRING DIAGRAMS



Refer to the Silent Gliss website.

# PARTS

## A. STANDARD PARTS



**SG 8619**

Tension wire  $\varnothing$  1.5 mm



**SG 8641**

Box case S/M 105x125 mm



**SG 8642**

Box cover S/M 105x125 mm



**SG 8643**

Side guide case inside fitting



**SG 8644**

Side guide cover



**SG 8645**

Bottom bar



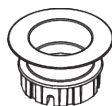
**SG 8646**

Cable spool left



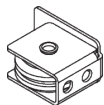
**SG 8647**

Cable spool right



**SG 8648**

Tube adapter



**SG 8649**

Pulley



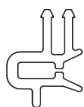
**SG 8656**

Spring



**SG 8657**

Motor kit



**SG 8659**

Zip profile



**SG 8665**

Tube  $\varnothing$  74 mm



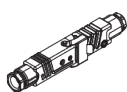
**SG 8667**

End cover left S/M 105x125 mm



**SG 8668**

End cover right S/M 105x125 mm



**SG 9916**

Hirschmann plug set

## B. OPTIONAL PARTS



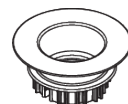
**SG 8651**

Cable spool left Large



**SG 8652**

Cable spool right Large



**SG 8653**

Tube adapter Large



**SG 8658**

Motor kit L



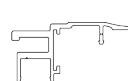
**SG 8661**

Box case Large 126x146 mm



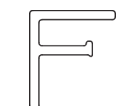
**SG 8662**

Box cover Large 126x146 mm



**SG 8663**

Side guide case inside fitting



**SG 8664**

Side guide profile inside fitting



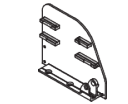
**SG 8666**

Tube Large  $\varnothing$  85 mm



**SG 8669**

End cover left Large 126x146 mm



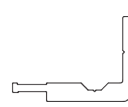
**SG 8671**

End cover right Large 126x146 mm



**SG 8672**

Side guide case



**SG 8673**

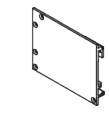
Concealed side guide profile



**SG 8674**

Concealed side guide cover

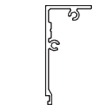


**SG 8675**

Concealed end cover left 105x125 mm

**SG 8676**

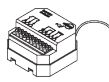
Concealed end cover right 105x125 mm

**SG 8677**

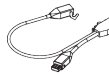
Concealed box cover 105x125 mm

**SG 8678**

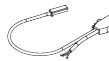
Concealed box cover lid 105x125 mm

**SG 9068**

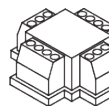
Radio receiver Revio

**SG 9944**

Radio receiver 1 channel

**SG 9945**

Radio receiver 1 channel

**SG 9959**

Central control unit relay

**SG 10300**

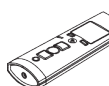
Radio hand held 1 channel

**SG 10302**

Radio hand held 5+1 channel

**SG 10303**

Radio hand held 10+2+1 channel

**SG 10804**

Radio hand held 15+5+1 channel

**SG 11480**

Radio wall transmitter 1 channel

**SG 11490**

Radio wall transmitter 5+1 channel





## ***The Architects of Silence***

***Silent Gliss is the leading global supplier of premium interior window treatments. Since 1952 we have been tirelessly committed to the development of the worlds` smoothest, quietest systems using state of the art technology.***

*Driven by customer needs, Silent Gliss offers functional and durable products. Expert technical advice coupled with installation and support services complete the offer. Silent Gliss stands for innovative, sustainable, tailor made solutions, exceptional design and first-class quality.*

### **Oy Vallila Contract Ab**

Nilsjankatu 15

FI-00510 Helsinki

**T** +358 (0)20 776 7700

**F** +358 (0)20 776 7701

[silentgliss@vallilainterior.fi](mailto:silentgliss@vallilainterior.fi)

**silentgliss.fi**